

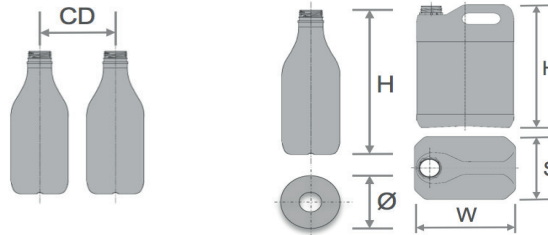
Clamping force	250 kN
Shuttle stroke	800 mm
Dry cycle	3,3 sec

TECHNICAL DATA

Available in **single** station,
from monolayer to 6 layers configuration

BOTTLE DIMENSIONS AND HEAD CAVITIES

CAV	CD	W
3	250	210
4	185	155
5	145	120
6	120	100
7	100	85
8	90	75
9	80	65
10	70	60
12	60	50



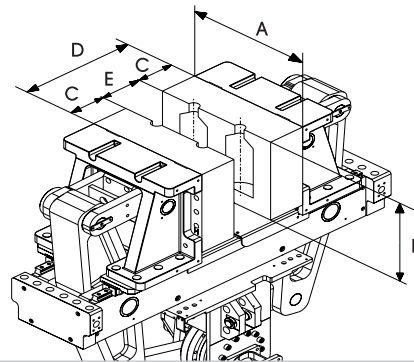
S	maximum bottle thickness	mm 140
Ø	maximum bottle diameter	mm 140
H	maximum bottle height	mm 325

W=max bottle width

MOULD DIMENSIONS

Max mould width	A	mm	795
Max mould height	B*	mm	450
Half mould depth	C	mm	175
Daylight opening	E	mm	200
Carriage opening	D	mm	550

*with mould not exceeding above top of platen



EXTRUDER PLASTICIZATION CAPACITY

Screw diameter / L:D ratio	mm	50/26	60/26	70/26	80/26	90/26	100/26	120/26
Maximum extruder output*	kg/h	65	85	115	180	215	325	455
Recommended extruder output**	kg/h	49	65	87	137	163	247	346

* Maximum output is to be considered for 100% rpm with HDPE with HLMFI >15, 100% virgin pellets.

** Recommended output is at 80% of the maximum output with HDPE 70% virgin pellets + 30% regrind.

CONSUMPTION ESTIMATED UTILITIES DATA

Water operating pressure	bar	3 ÷ 5
Recommended water ΔP	bar	≤ 1,5
Air operating pressure	bar	8 ÷ 10
Air flow requirement std. blowing	NI/min	4.500 ÷ 4.700
Estimate power consumption	kW/kg	mono 0,27 coex 0,31

DIMENSIONS

W	mm	2.500
L	mm	5.000
H	mm	3.600

