



# Taking a bite out of plastics

## GETECHA central granulators

**RS 2000**  
by GETECHA

**RS 3000**  
by GETECHA

**RS 3800**  
by GETECHA

**RS 4500**  
by GETECHA



**GETECHA**

INDIVIDUALITÄT IST UNSER STANDARD

Choose the system partner who is also a competent dialogue partner: GETECHA.

For more than five decades, we have been acting as consultants to the plastics processing industry, developing, planning, and manufacturing consistently individual solutions from sprue recovery and automation systems to granulation. We have been supporting many of our customers for a very long time already. We simply feel at home with your challenges.

**Individualität ist unser Standard.**

 **RS 2000**  
by GETECHA

 **RS 3000**  
by GETECHA

## Mid-Market with a punch

The mid-sized, ergonomically constructed granulators by GETECHA attain throughputs of up to 500 kg/h in continuous operation depending on the model – whether in injection molding operations or next to blow molding machines. The segmented rotor masters a very wide range of tasks. Quickly granulates even thick-walled materials.



### Fast, economical cleaning

- Easy-to-open hopper and grinding chamber
- Quick-release locking devices
- All components easily accessible
- Tool-free screen removal
- Smooth surfaces, machined on all sides

### High productivity

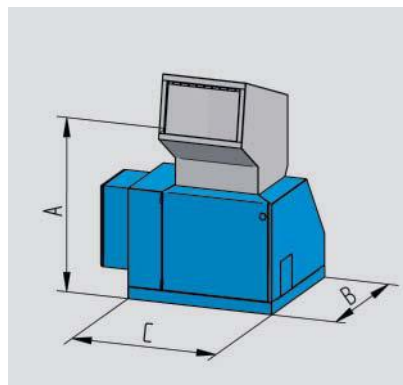
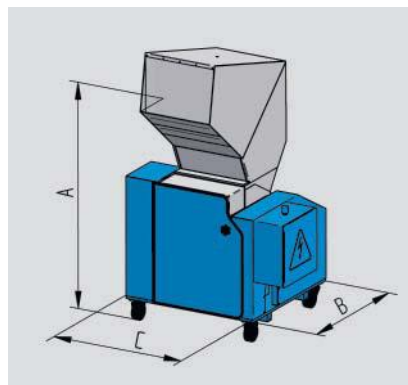
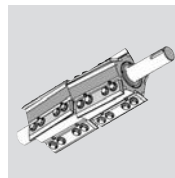
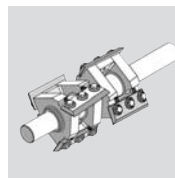
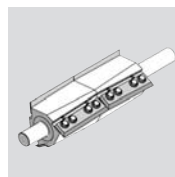
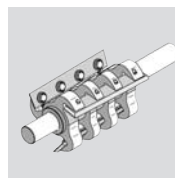
- Continuous throughputs of up to approx. 500 kg/h
- Pre-adjustable blades
- Quick to clean
- Easy maintenance

### Reliable in operation

- External rotor bearing with high safety factor
- Continuous cutting circle guarantees consistently good granulate quality
- Optimal distribution of cutting forces thanks to segmented rotor design
- Solid belt pulley for additional centrifugal mass

### Individually useable

- Various rotor variants and wear-protection packages available
- Optical display of operational status
- Compact, modular design
- Additional equipment for virtually all types of applications



RS 2000	A	B	C
RS 2002	1.400 mm	860 mm	650 mm
RS 2004	1.400 mm	860 mm	870 mm
RS 2006	1.400 mm	860 mm	1.100 mm

RS 3000	A	B	C
RS 3004	1.540 mm	1.190 mm	1.075 mm
RS 3006	1.540 mm	1.190 mm	1.290 mm
RS 3009	1.660 mm	1.190 mm	1.605 mm



# RS 3800

by GETECHA

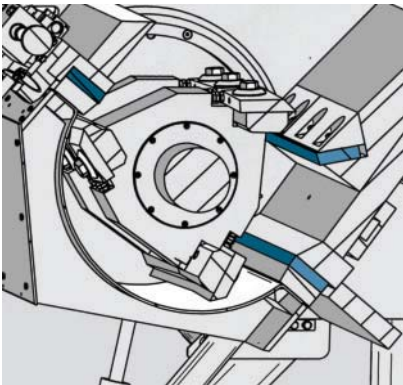


# RS 4500

by GETECHA

## Devours large volumes quietly

With the aggressive intake zone in the grinding case, seizes even thick-walled stock outages or large hollow shapes reliably; the noise level remains low. High throughput is attained by virtue of the optimal ratio between rotor diameter and width, in conjunction with maximum screen area.



### A smart rotor

- Rotor segments are mounted on a steel shaft with couplings
- It is possible to replace individual rotor components
- Segments with opposing blade angles keep the material in the middle of the rotor (v-cut)
- Constant cutting circle diameter guarantees consistent throughput and granulate quality
- Short rotary blades simplify handling when replacing blades
- Unlimited rotor configuration (offset or continuous cut)



### Developed on the basis of practical experience

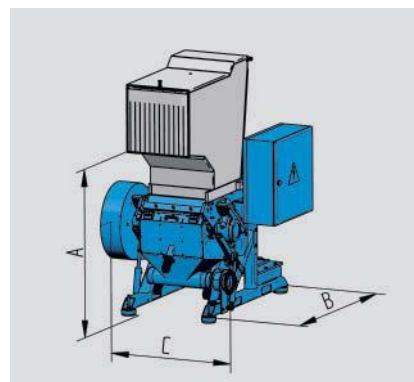
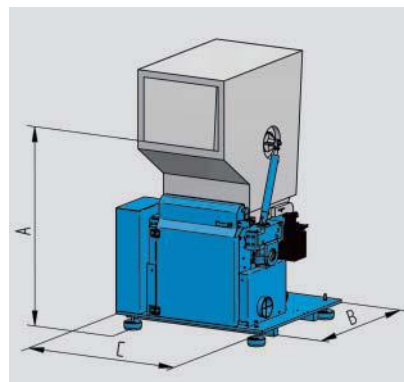
- Hopper opens easily by means of manual hydraulic system
- Very good machine accessibility for cleaning and servicing
- Screen is useable on both sides and can be removed without tools
- Stator blade is mounted against a positive stop

### Versatile in use

- Five-blade rotor for higher throughput
- Three stationary blades for thick-walled parts
- Additional flywheel (optional) ensures even more traction
- Wear-protection for abrasive materials

### Modular design

- Individual variation of components
- Integrated noise protection
- Blade adjustment gauge included



RS 3800	A	B	C
RS 3806	1.550 mm	1.190 mm	1.290 mm
RS 3809	1.550 mm	1.190 mm	1.605 mm
RS 3812	1.550 mm	1.190 mm	1.920 mm

RS 4500	A	B	C
RS 4506	1.585 mm	1.655 mm	1.240 mm
RS 4509	1.585 mm	1.655 mm	1.540 mm
RS 4512	1.735 mm	1.655 mm	1.840 mm



# Projects realized by GETECHA



## Injection molding – economical granulation with logistics

### Requirements:

Granulation of stock outages from the plastic injection molding shop (200 – 300 kg/h). Feeding of parts and granulation and buffering of the granulate must take place automatically.



### Our solution:

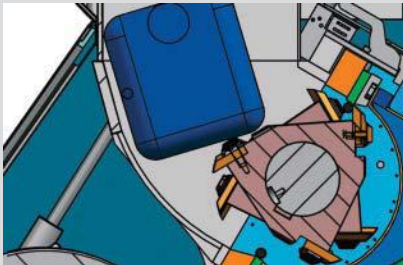
The stock outages are conveyed to the RS 3004 granulator via a conveyor belt with a built-in metal detector. The slow-running granulator ensures low noise levels and relatively dust-free granulate, which is separated from the residual dust in the subsequent de-dusting system. A blower transports the granulate to three buffer containers. Filling level gauges keep track of the filling level of the containers, which are controlled by means of pneumatic switches.



## Blow molding – granulation of large-volume blow-molded parts with minimal potential output

### Requirements:

Granulation of 20-liter canisters and associated tops and tails. The granulator is to be fed both by hand and by conveyor belt. Despite the large-volume parts, a granulator with a small rotor diameter is to be used.



### Our solution:

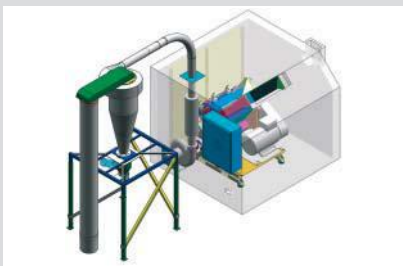
The RS 3004 granulator – configured with a super tangential feed in the cutting chamber and a rotor with displaced rows of blades – granulates the large-volume parts with a rotor diameter of just 300 mm. The displaced blades with the projecting cutting edges seize the canisters and pull them into the rotor, preventing the containers from “dancing around”.



## Extrusion – granulation of plates as quietly as possible

### Requirements:

Granulation of highly impact-resistant PMMA plates with thicknesses of 5 to 20 mm and a length of 2.200 mm. The granulator will be set up in the vicinity of the workstations and thus must be optimally soundproofed. The granulate is to be filled into octatainers.



### Our solution:

The plates are fed into the powerful RS 4509 granulator via a rear plate hopper. A third stationary blade in the intake area supports the granulation of thick-walled plates. The granulate is transported to octatainers via a suction unit. A soundproofing cabinet keeps the noise level low.

# Technical specifications:

Model	RS 2002	RS 2004	RS 2006
Rotor cutting diameter	200 mm	200 mm	200 mm
Hopper opening	240 x 340 mm	460 x 340 mm	690 x 340 mm
Cutting chamber opening	240 x 275 mm	465 x 275 mm	690 x 275 mm
Cutting length	226 mm	452 mm	678 mm
No. of rotary blades	3	3 x 2	3 x 3
No. of stationary blades	2	2	2
Type of cutting	scissors cut	scissors cut	scissors cut
Rotor revolution	420 rpm	420 rpm	420 rpm
Motor power, standard	5,5 kW	7,5 kW	7,5 kW
Screen size, standard	8 mm, round	8 mm, round	8 mm, round
Throughput	40 – 70 kg/h *	80 – 120 kg/h *	100 – 150 kg/h *
Electrical connection	3 x 400 V + N, 50 Hz	3 x 400 V + N, 50 Hz	3 x 400 V + N, 50 Hz

Model	RS 3004	RS 3006	RS 3009
Rotor cutting diameter	300 mm	300 mm	300 mm
Hopper opening	420 x 400 mm	630 x 400 mm	945 x 400 mm
Cutting chamber opening	425 x 410 mm	640 x 410 mm	955 x 410 mm
Cutting length	410 mm	630 mm	945 mm
No. of rotary blades	3	3 x 2	3 x 3
No. of stationary blades	2	2	2
Type of cutting	scissors cut	scissors cut	scissors cut
Rotor revolution	420 rpm	420 rpm	420 rpm
Motor power, standard	11 kW	15 kW	22 kW
Screen size, standard	8 mm, round	8 mm, round	8 mm, round
Throughput	200 – 360 kg/h *	270 – 450 kg/h *	340 – 540 kg/h *
Electrical connection	3 x 400 V + N, 50 Hz	3 x 400 V + N, 50 Hz	3 x 400 V + N, 50 Hz

Model	RS 3806	RS 3809	RS 3812
Rotor cutting diameter	380 mm	380 mm	380 mm
Hopper opening	650 x 500 mm	965 x 500 mm	1.280 x 500 mm
Cutting chamber opening	650 x 505 mm	965 x 505 mm	1.280 x 505 mm
Cutting length	630 mm	945 mm	1.260 mm
No. of rotary blades	3 x 2	3 x 3	3 x 4
No. of stationary blades	2	2	2
Type of cutting	scissors cut	scissors cut	scissors cut
Rotor revolution	420 rpm	420 rpm	500 rpm
Motor power, standard	22 kW	22 kW	30 kW
Screen size, standard	8 mm, round	8 mm, round	8 mm, round
Throughput	600 kg/h *	800 kg/h *	1.100 kg/h *
Electrical connection	3 x 400 V + N, 50 Hz	3 x 400 V + N, 50 Hz	3 x 400 V + N, 50 Hz

Model	RS 4506	RS 4509	RS 4512
Rotor cutting diameter	450 mm	450 mm	450 mm
Hopper opening	625 x 620 mm	925 x 620 mm	1.225 x 620 mm
Cutting chamber opening	600 x 540 mm	900 x 540 mm	1.200 x 540 mm
Cutting length	600 mm	900 mm	1.200 mm
No. of rotary blades	3 x 2	3 x 3	3 x 4
No. of stationary blades	2	2	2
Type of cutting	scissors cut	scissors cut	scissors cut
Rotor revolution	420 rpm	420 rpm	420 rpm
Motor power, standard	30 kW	37 kW	45 kW
Screen size, standard	8 mm, round	8 mm, round	8 mm, round
Throughput	700 kg/h *	900 kg/h *	1.200 kg/h *
Electrical connection	3 x 400 V + N, 50 Hz	3 x 400 V + N, 50 Hz	3 x 400 V + N, 50 Hz

\* depending on screen size and material



### **Granulation**

Beside-the-press granulators  
Central Granulators  
Heavy-Duty Granulators



### **Automation**

Sprue removal  
Handling systems  
Special automation solutions



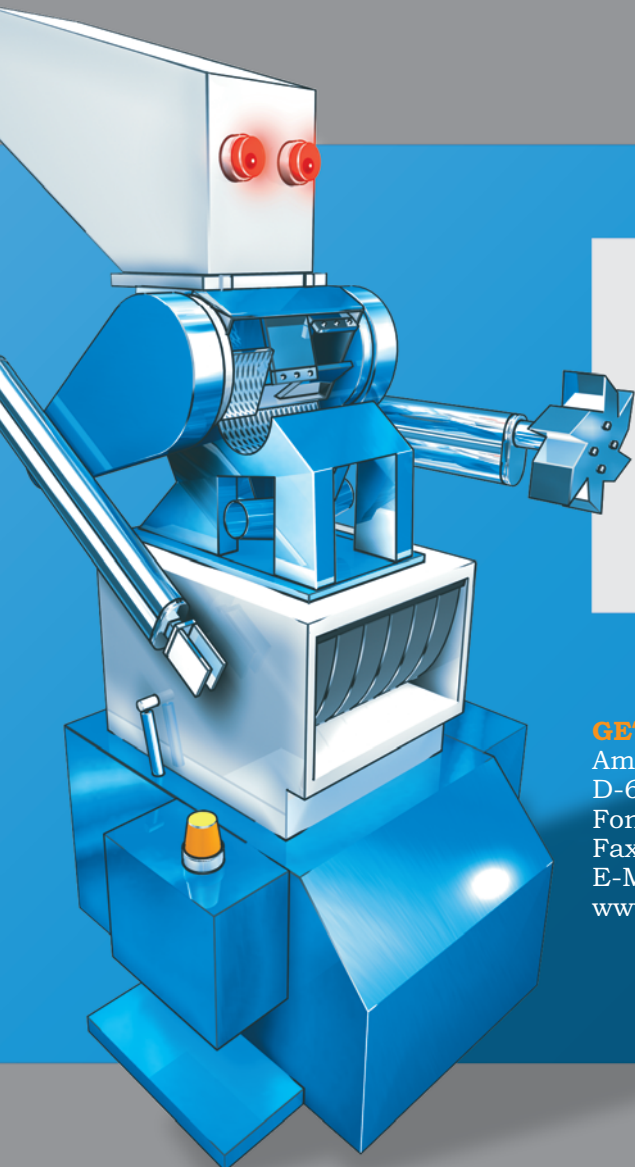
### **Technical installations**

Development  
Manufacturing  
Start of operation

**GETECHA granulators** granulate plastics and return them to the production cycle. The granulators can be expanded into stand-alone recycling systems.

**GETECHA realizes** tailor-made, turnkey automation systems right around injection moulding machines. They are your one-stop source for development, manufacturing, service and training.

**GETECHA have** a worldwide sales and service network at their disposal. We guarantee fast, uncomplicated support.



### **GETECHA GmbH**

Am Gemeindegraben 13  
D-63741 Aschaffenburg  
Fon +49 (0) 60 21.84 00-0  
Fax +49 (0) 60 21.84 00-35  
E-Mail [info@getecha.de](mailto:info@getecha.de)  
[www.getecha.de](http://www.getecha.de)

### **GETECHA Inc.**

2914 Business One Drive  
Kalamazoo, MI 49048, USA  
Fon +1 269.373-8896  
Fax +1 269.344-7844  
E-Mail [sales@getechaUS.com](mailto:sales@getechaUS.com)  
[www.getechaUS.com](http://www.getechaUS.com)

GETECHA reserves the right to change the product specifications described in this data sheet and publish new data sheets accordingly at any time and without prior notice. GETECHA assumes no liability for the completeness and correctness of this information in terms of form and content. Illustrations may contain options.

# GETECHA

INDIVIDUALITÄT IST UNSER STANDARD