



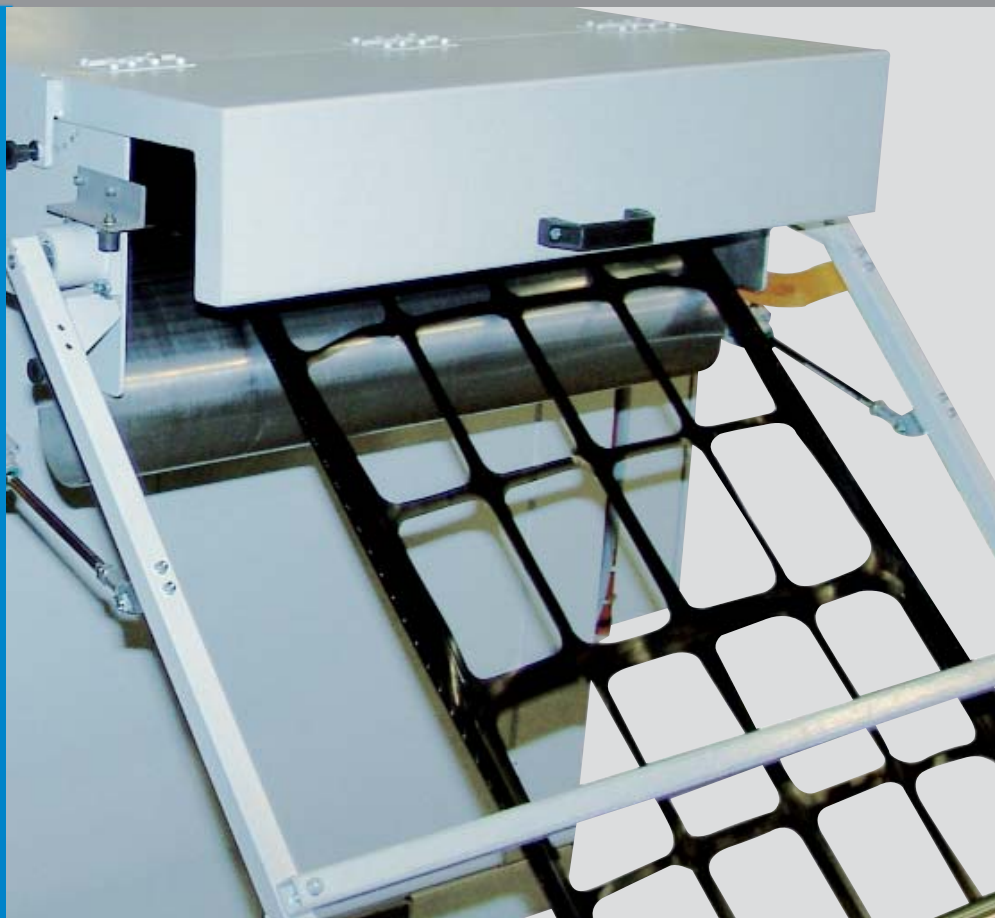
Granulation bit by bit GETECHA granulators with infeed devices

RS 2000-E
by GETECHA

RS 3000-E
by GETECHA

RS 3800-E
by GETECHA

RS 4500-E
by GETECHA



GETECHA

INDIVIDUALITÄT IST UNSER STANDARD

Choose the system partner who is also a competent dialogue partner: GETECHA.

For more than five decades, we have been acting as consultants to the plastics processing industry, developing, planning, and manufacturing consistently individual solutions from sprue recovery and automation systems to granulation. We have been supporting many of our customers for a very long time already. We simply feel at home with your challenges.

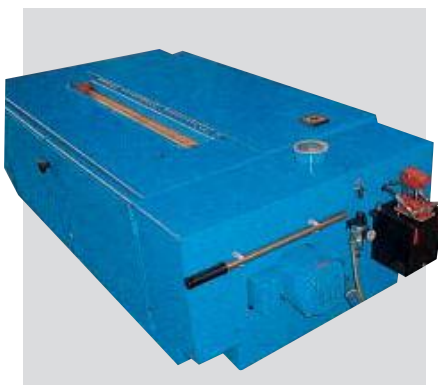
Individualität ist unser Standard.



Granulators with Infeed Devices by GETECHA

Automatic scrap web processing systems

Thermoform operations result in scrap web that can constitute up to 50% of the film and entails a tremendous outlay in terms of logistics. Getecha offers you an automatic processing system integrated in the thermoform line. In complete inline systems from extruder to granulator, the granulate is reprocessed immediately.



■ The proper size is decisive

- Granulator with appropriate-size rotor diameters and widths for every application
- Infeeding of foil at startup
- Draw items in the foil
- Scrap web in the production operation



■ Reliable in operation

- Continuous cutting circle guarantees consistently good granulate quality
- Generously proportioned access doors for cleaning and servicing
- Infeed device and cutting chamber can be opened without tools very quickly
- Smooth surfaces, machined on all sides



■ Proven technology

- Pre-adjustable blades, short rotary blades simplify blades replacement
- Stationary blade is mounted against a positive stop
- Tool-free screen replacement
- Segmented scissors cut



■ Quiet granulation

- Integrated sound insulation
- Granulator unit is isolated from chassis
- Low rotor speed for low dust and noise



■ Modular design

- 5-blade rotors and a third stationary blade available for even more throughput
- Stock outage hopper for manual feeding (optional)
- Complete systems and accessories available
- Also available in an extremely low version for under the press (UP version)

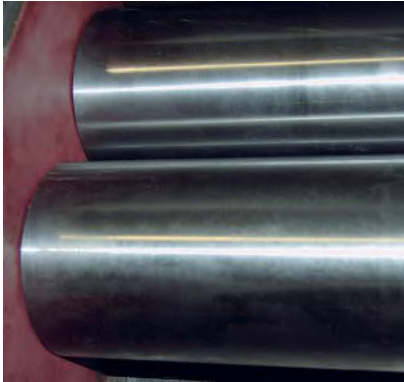
RS 2000-E	A	B	C
RS 2002-E	1.130 mm	870 mm	670 mm
RS 2004-E	1.130 mm	870 mm	900 mm
RS 2006-E	1.130 mm	870 mm	1.130 mm
RS 2009-E	1.130 mm	870 mm	1.360 mm

RS 3000-E	A	B	C
RS 3004-E	1.120 mm	1.190 mm	1.130 mm
RS 3006-E	1.120 mm	1.190 mm	1.350 mm
RS 3009-E	1.240 mm	1.190 mm	1.660 mm
RS 3012-E	1.320 mm	1.190 mm	1.960 mm
RS 3015-E	1.400 mm	1.260 mm	2.230 mm



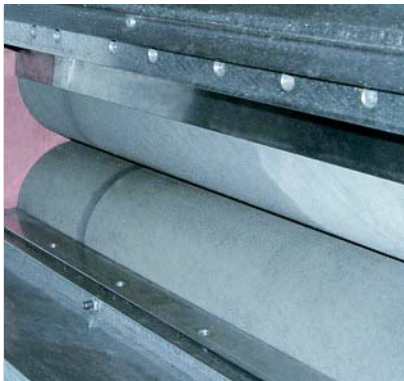
Granulation bit by bit

Regardless of whether margin strips, foil, or scrap web with and without deep drawn parts – the right infeed system handles the task with ease. Extremely quiet for thermoforming or foil applications with smooth, knurled or toothed rollers. When integrated in the thermoform line, continuous and adjusted foil feeding is ensured.



Reliable infeed

- Pneumatically dampened dancer keep foil or margin strips taut
- Adjustment to line speed through frequency-controlled infeed
- Adjustable wipers prevent snarling
- Both infeed rollers run synchronously
- Entire infeed device can be folded away from the granulator



Just in case

- Divided infeed systems for margin strips
- Varying infeed heights available for varying molded part depths
- Stock outage hopper available optionally
- Can be integrated in your system



Smooth infeed rollers

- For foil, scrap web or margin strips
- Small roller diameter for low installed height
- For non-slip foil of any thickness
- Made of case-hardened quality steel



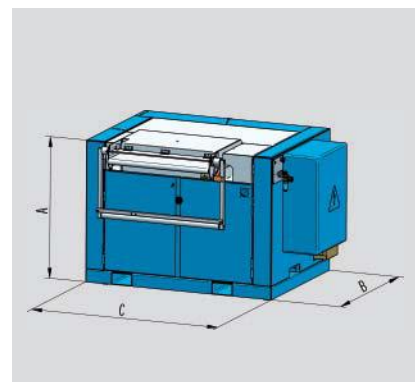
Knurled infeed rollers

- For increased grip if the foil must be pulled out of the thermoforming machine
- For scrap web with extremely narrow webs
- Enlarged rollers for foil with molded parts that have not been blanked out



Toothed infeed rollers

- For foil with extremely rugged molded parts that have not been blanked out
- For molded parts in the foil with extremely large draw depth



Model	A	B	C
RS 3800-E			
RS 3806-E	1.360 mm	1.240 mm	1.290 mm
RS 3809-E	1.360 mm	1.240 mm	1.605 mm
RS 3812-E	1.360 mm	1.240 mm	1.920 mm
RS 3815-E	1.360 mm	1.240 mm	2.235 mm

Model	A	B	C
RS 4500-E			
RS 4506-E	1.550 mm	2.000 mm	1.430 mm
RS 4509-E	1.550 mm	2.000 mm	1.730 mm
RS 4512-E	1.550 mm	2.000 mm	2.030 mm
RS 4515-E	1.550 mm	2.000 mm	2.130 mm



In-line granulation – with maximum performance

Requirements:

Granulation of scrap web with a width of 800 mm and thicknesses of up to 3 mm and more. With the thermoforming machine at standstill, the foil is drawn out of the extruder past the machine into the infeed device and granulated. In this mode of operation, a throughput of 1,200 kg/h is required. The foil is transported by the infeed device of the granulator. The roller infeed device must deal with large draw depths of molded parts in the foil in conjunction large foil thicknesses when the thermoforming machine is started up. It must be possible to feed in stock outages during production.



Our solution:

Our powerful RS 4509 granulator, equipped with a 5-knife rotor and a third bed knife is ideally suited to this task. A high feed hopper and an enlarged infeed device with toothed rollers ensure that the parts with a large draw depth are reliably drawn into the granulator. A second pressure circuit, in conjunction with an amplified floating roller control system, is responsible for pulling the foil over and past the thermoforming machine. The switchover to the second pressure circuit takes place automatically via a signal from the thermoformer. Stock outages can be feed in by hand via an additional hopper.



In-line granulation – from all sides!

Requirements:

In-line granulation of two margin strips with the possibility of simultaneous infeeding of start-up foil. The A-PET margin strips are up to 254 mm wide and 1.52 mm thick. Granulation of the margin strips has priority over the start-up foil.



Our solution:

The margin strips are drawn into the RS 4509 granulator by two adjacent infeed systems. The infeed devices, equipped with knurled rollers, reliably pull in the margin strips from the line into the cutting chamber. The infeed speed of the margin strips is synchronized with the extrusion line by means of setpoint setting.

The start-up foil is fed into the granulator via a third infeed device on the rear of the granulator. This infeed device is equipped with a load-dependent control system. In the event of overloading of the granulator motor, the rear infeed device is stopped and restarts automatically when the prescribed value has returned to normal. The margin strip infeed devices continue to run.

Technical specifications:

Model	RS 2002-E	RS 2004-E	RS 2006-E	RS 2009-E
Rotor cutting diameter	200 mm	200 mm	200 mm	200 mm
Infeed opening	190 x 30 mm	420 x 30 mm	640 x 30 mm	875 x 30 mm
Cutting length	226 mm	452 mm	678 mm	904 mm
No. of rotary blades	3	3 x 2	3 x 3	3 x 4
No. of stationary blades	2	2	2	2
Type of cutting	scissors cut	scissors cut	scissors cut	scissors cut
Rotor revolution	420 rpm	420 rpm	420 rpm	420 rpm
Motor power, standard	5,5 kW	7,5 kW	7,5 kW	11 kW
Screen size, standard	8 mm, round	8 mm, round	8 mm, round	8 mm, round
Throughput short term	60 kg/h *	120 kg/h *	160 kg/h *	200 kg/h *
Throughput permanent	40 kg/h *	60 kg/h *	100 kg/h *	120 kg/h *

Model	RS 3004-E	RS 3006-E	RS 3009-E	RS 3012-E	RS 3015-E
Rotor cutting diameter	300 mm	300 mm	300 mm	300 mm	300 mm
Infeed opening	390 x 50 mm	600 x 50 cm	880 x 50 mm	1.180 x 50 mm	1.500 x 50 mm
Cutting length	410 mm	630 mm	945 mm	1.260 mm	1.575 mm
No. of rotary blades	3	3 x 2	3 x 3	3 x 4	3 x 5
No. of stationary blades	2	2	2	2	2
Type of cutting	scissors cut	scissors cut	scissors cut	scissors cut	scissors cut
Rotor revolution	420 rpm	420 rpm	420 rpm	420 rpm	420 rpm
Motor power, standard	11 kW	15 kW	22 kW	22 kW	30 kW
Screen size, standard	8 mm, round	8 mm, round	8 mm, round	8 mm, round	8 mm, round
Throughput short term	240 kg/h *	400 kg/h *	600 kg/h *	800 kg/h *	1.000 kg/h *
Throughput permanent	120 kg/h *	200 kg/h *	400 kg/h *	500 kg/h *	625 kg/h *

Model	RS 3806-E	RS 3809-E	RS 3812-E	RS 3815-E
Rotor cutting diameter	380 mm	380 mm	380 mm	380 mm
Infeed opening	590 x 50 mm	870 x 50 mm	1.220 x 50 mm	1.500 x 50 mm
Cutting length	630 mm	945 mm	1.260 mm	1.575 mm
No. of rotary blades	3 x 2	3 x 3	3 x 4	3 x 5
No. of stationary blades	3	3	3	3
Type of cutting	scissors cut	scissors cut	scissors cut	scissors cut
Rotor revolution	420 rpm	420 rpm	420 rpm	420 rpm
Motor power, standard	22 kW	22 kW	30 kW	37 kW
Screen size, standard	8 mm, round	8 mm, round	8 mm, round	8 mm, round
Throughput short term	500 kg/h *	750 kg/h *	1.000 kg/h *	1.300 kg/h *
Throughput permanent	300 kg/h *	500 kg/h *	650 kg/h *	850 kg/h *

Model	RS 4506-E	RS 4509-E	RS 4512-E	RS 4515-E
Rotor cutting diameter	450 mm	450 mm	450 mm	450 mm
Infeed opening	580 x 60 mm	880 x 60 mm	1.180 x 60 mm	1.480 x 60 mm
Cutting length	600 mm	900 mm	1.200 mm	1.500 mm
No. of rotary blades	3 x 2	3 x 3	3 x 4	3 x 5
No. of stationary blades	3	3	3	3
Type of cutting	scissors cut	scissors cut	scissors cut	scissors cut
Rotor revolution	420 rpm	420 rpm	420 rpm	420 rpm
Motor power, standard	30 kW	37 kW	45 kW	55 kW
Screen size, standard	8 mm, round	8 mm, round	8 mm, round	8 mm, round
Throughput short term	600 kg/h *	900 kg/h *	1.200 kg/h *	1.500 kg/h *
Throughput permanent	450 kg/h *	600 kg/h *	800 kg/h *	1.000 kg/h *

* depending on screen size and material



Granulation

Beside-the-press granulators
Central Granulators
Heavy-Duty Granulators



Automation

Sprue removal
Handling systems
Special automation solutions



Technical installations

Development
Manufacturing
Start of operation

GETECHA granulators granulate plastics and return them to the production cycle. The granulators can be expanded into stand-alone recycling systems.

GETECHA realizes tailor-made, turnkey automation systems right around injection moulding machines. They are your one-stop source for development, manufacturing, service and training.

GETECHA have a worldwide sales and service network at their disposal. We guarantee fast, uncomplicated support.



GETECHA GmbH

Am Gemeindegarten 13
D-63741 Aschaffenburg
Fon +49 (0) 60 21.84 00-0
Fax +49 (0) 60 21.84 00-35
E-Mail info@getecha.de
www.getecha.de

GETECHA Inc.

2914 Business One Drive
Kalamazoo, MI 49048, USA
Fon +1 269.373-8896
Fax +1 269.344-7844
E-Mail sales@getechaUS.com
www.getechaUS.com

GETECHA reserves the right to change the product specifications described in this data sheet and publish new data sheets accordingly at any time and without prior notice. GETECHA assumes no liability for the completeness and correctness of this information in terms of form and content. Illustrations may contain options.

GETECHA
INDIVIDUALITÄT IST UNSER STANDARD